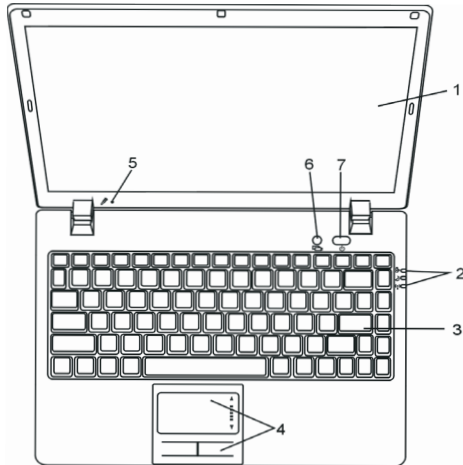


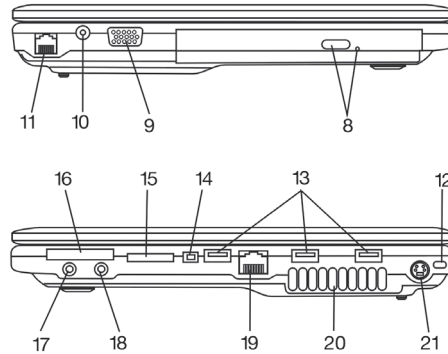


Quick Connect Guide for Complete System

Features

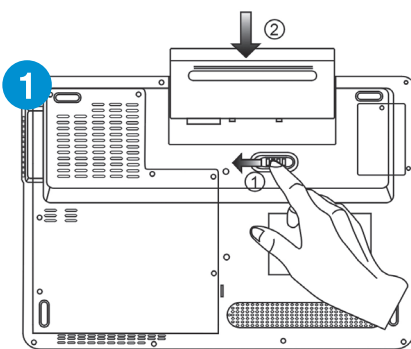


- 1. LCD Display
- 2. LED Status Indicators
- 3. Keyboard
- 4. Touchpad & Buttons
- 5. Built-in Microphone
- 6. Silent Mode Button
- 7. Power / Suspend Button

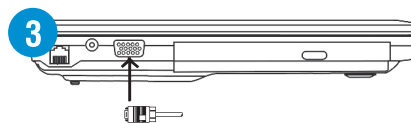


- 8. Optical Drive & Eject Button
- 9. External VGA Port
- 10. Power Jack
- 11. Modem Port
- 12. Kensington® Security Slot
- 13. USB 2.0 Ports
- 14. FireWire / IEEE1394 / 1394a Port
- 15. 4-in-1 Card Reader
- 16. ExpressCard Slot
- 17. Stereo Headphone / S/PDIF-out Jack
- 18. Microphone / Audio Line-in Jack
- 19. Ethernet / LAN Port
- 20. Ventilation Grill
- 21. TV (S-Video) Port

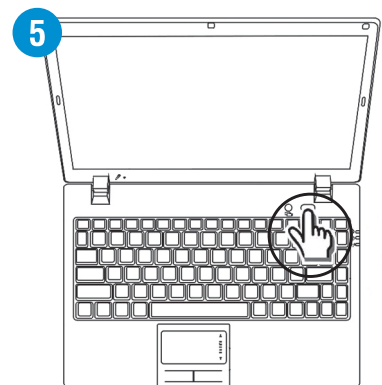
Quick Connect Steps



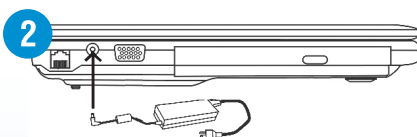
Slide the battery into the slot at the bottom of the notebook.



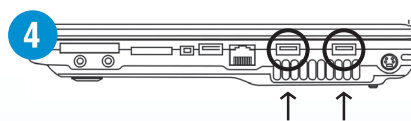
Plug the VGA cable from the 19" LCD TV to the VGA port on the side of the notebook (see Display Properties for dual screen settings).



Press Power to turn on the notebook. When prompted, enter your registration information to complete the Windows® setup. (You will need to use the Product Key number from the Microsoft® Windows® XP packet included in the box). For additional set up instructions, please call 1-866-287-5555.



Plug the power adapter into the side of the notebook to charge the battery.



Plug the keyboard and mouse cables into the side USB ports.



Westinghouse



BEFORE RETURNING THIS SYSTEM:

If you are experiencing problems
with any of these units,

PLEASE CALL 1-866-287-5555

for customer service.

Thank you.

You can be sure...if it's Westinghouse 

Specifications subject to change without notice.
U.S. Patent Pending, © 2006 Westinghouse Digital Electronics, LLC. All rights reserved.
©, Westinghouse and You can be sure...if it's Westinghouse are trademarks
of Westinghouse Electric Corporation and are used under license.
All screen images are simulated.

MA-PS-1201-0601