



ULTRA

3.5" Mini Portable Disk

USER MANUAL

USER MANUAL >>>

INTRODUCTION

ULTRA 3.5" Mini Portable Disk is a Multi-Interface external enclosure. User could convert the 3.5" HDD from interface IDE to USB2.0 / IEEE1394 through ULTRA Mini Portable Disk (by different model)

ULTRA MPD Series Model

- * ULT-31310 Combo (USB2.0 / IEEE1394) to IDE

PACKAGE CONTAIN

- * USER MANUAL X 1
- * Adapter X 1
- * Driver For WIN98 only X 1
- * Cable X 2
- * Screws X 6

FEATURE

- * Easy to install
- * High speed transmission rate
 - USB2.0 -- 480mb/s
 - 1394a -- 400mb/s
- * Compact size design
- * Suit for all kinds of ATA 3.5 inch HDD
- * Support to WIN98/ME/2000/XP/MAC9.0 and above
- * Plug and Play
- * USB2.0 / IEEE1394a Bridge interface (in different model)
- * Cooling Fan design, provided reliable thermo-solution
- * Clear and Multi-Functional LED indication
- * External Power Supply

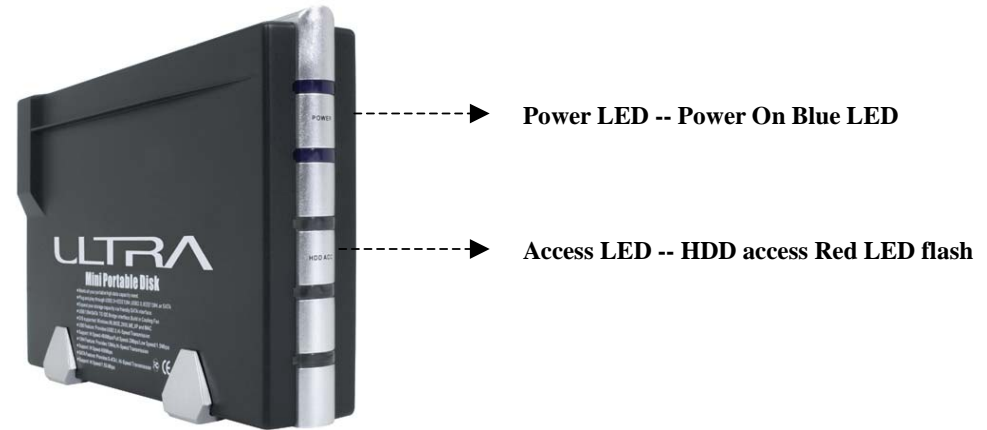
USER MANUAL >>>

SPECIFICATION

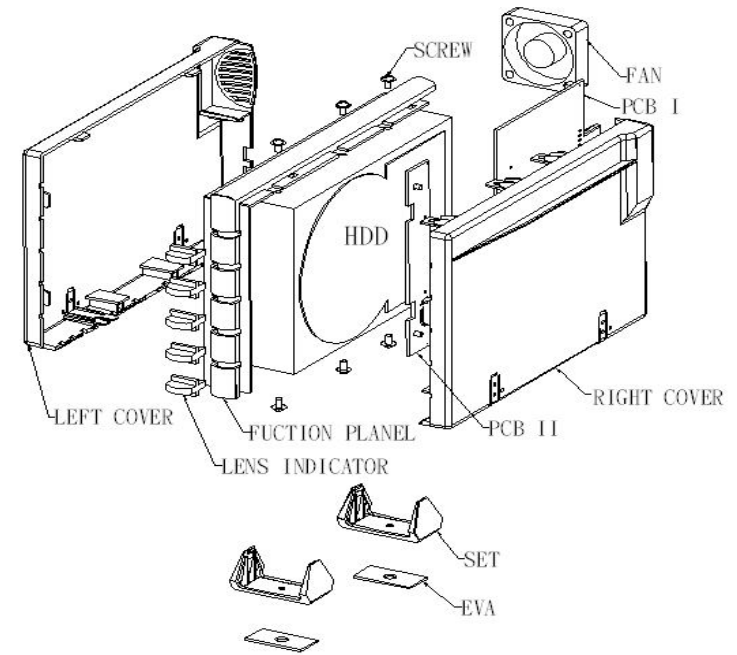
- * Dimension : 190mm×125mm×45mm
- * Weight : 240g
- * Device space : 3.5 inch ATA HDD
- * Material : Plastic
- * Cooler : 40mm x 40mm x 10mm
- * Transfer rate : USB2.0 – 480Mb/s
IEEE1394 – 400Mb/s
- * HDD interface : ATA 133
- * HDD capacity : Support ATA6 format
- * Power input : 12VDC
- * Hot Swap : Plug & Play
- * Temperature : Operating 0°C ~ 60°C
Non-Operation -20°C ~ 80°C
- * Humidity : Operating 20%~80%
Non-Operation 15%~90%
- * Front LED Display :
 - Power LED -- Power On Blue
 - HDD access LED -- HDD Access RED LED Flash

USER MANUAL >>>

DISPLAY FUNCTION

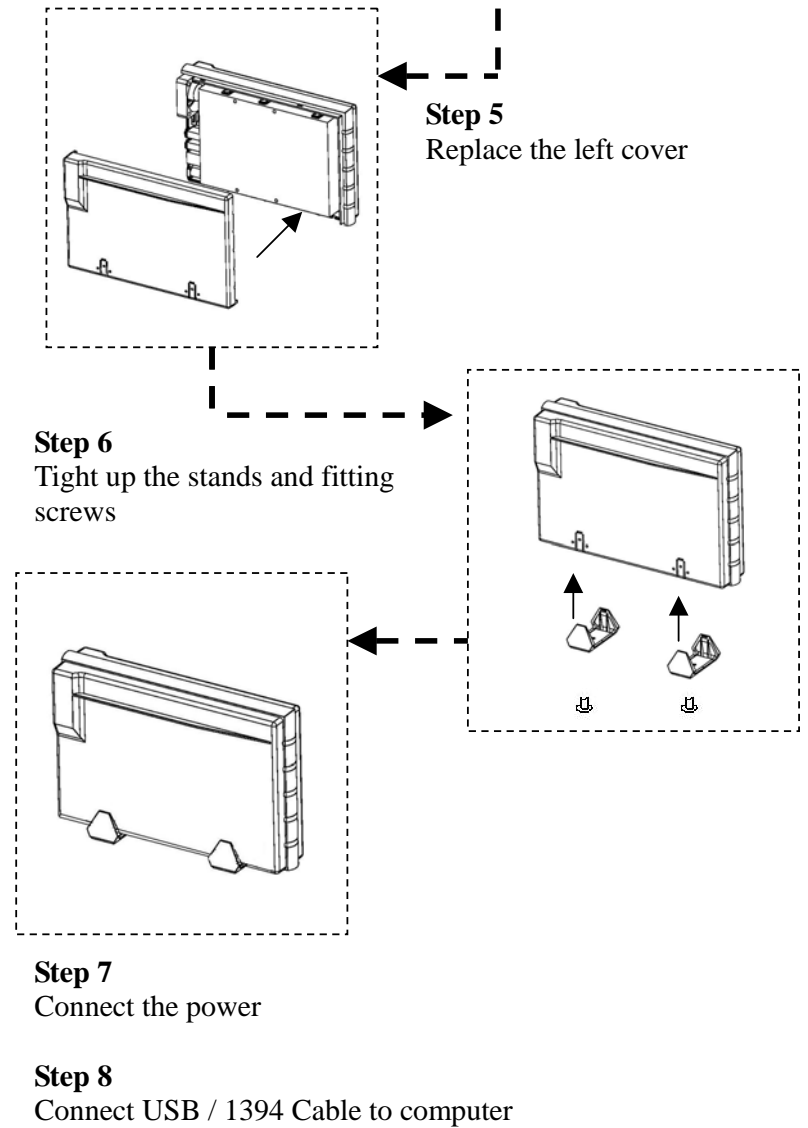
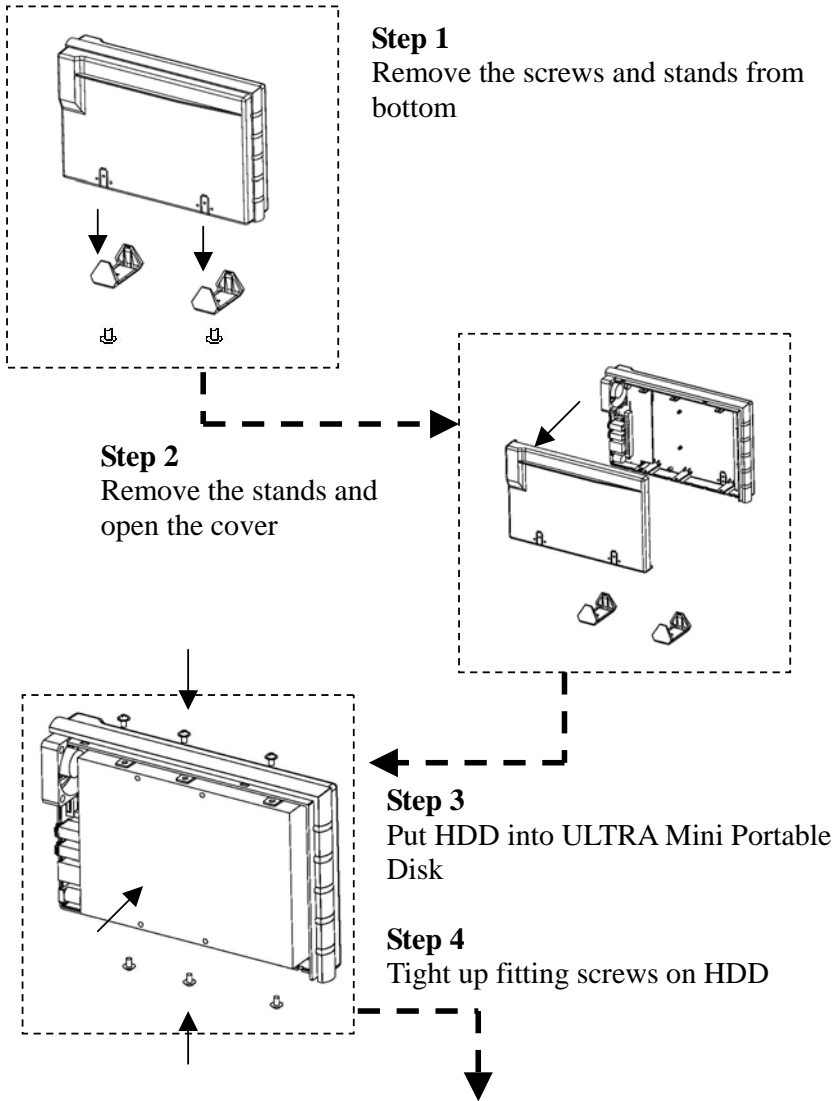


ASSEMBLE



INSTALLATION

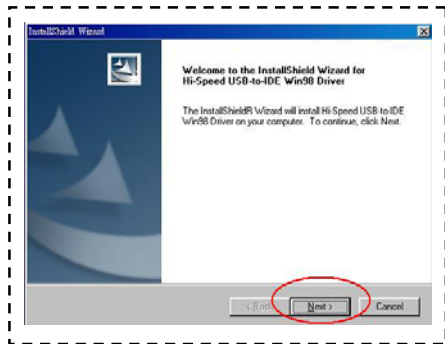
A. Install Hardware



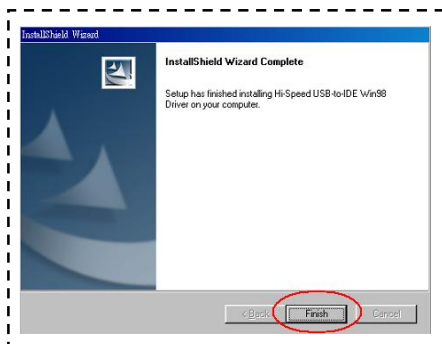
B. Automatic install driver



Please install the driver disk in CD-ROM drive , then the OS will automatic install driver



Clicks “NEXT”



Clicks “Finish” and Restart Your Computer

COPYRIGHT

Copyright © 2003 by this company. All rights reserved. No part of this publication may be reproduced, transcribed, stored in retrieval system, or translated into any language or computer language, in any form or by any means, electronic, mechanical, magnetic, optical, chemical, manual or otherwise, without the prior written permission of this company.

Disclaimer This company makes no representations or warranties, either expressed or implied, with respect to the contents hereof and specifically disclaims any warranties, merchantability or fitness for any particular purpose. Any software described in this manual is sold or licensed “as is”. Should the programs prove defective following their purchase, the

buyer (and not this company, its distributor, or its dealer) assumes the entire cost of all necessary servicing, repair, and any incidental or consequential damages resulting from any defect in the software.

Further, this company reserves the right to revise this publication and to make changes from time to time in the contents hereof without obligation to notify any person of such revision or changes.