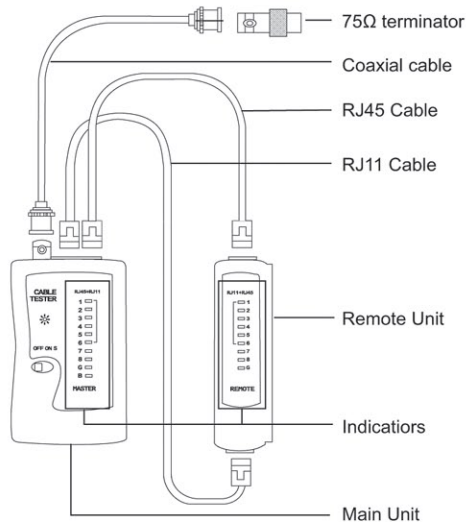


# ULTRA

## Multi-Module Cable Tester User's Manual



### Features:

- Tests RJ45 , UTP, 10 Base-T, Token ring, RJ-11/ RJ-12 USOC and Coaxial BNC cable
- Test cable for continuity, short, open and check cable types.
- Coaxial cable port: shows cable conditions including shorts, shield opens and center conductor breaks
- Separated remote unit allow one person testing.
- Power source: DC 9V Battery
- Dimension: 102x106x28 (mm)

### How to Use:

RJ45 UTP and RJ11 Telephone/FAX cable

1. Connect one end of the cable to the jack on main unit and the other end to the remote unit
2. Turn on power switch
3. The indicator of each unit will light in sequence as table shown, to indicate the cable is good.
- 4.

	Main Unit	Remote Unit
RJ45	1 2 3 4 5 6 7 8	1 2 3 4 5 6 7 8
RJ12	1 2 3 4 5 6	6 5 4 3 2 1
RJ11	2 3 4 5	5 4 3 2

### Coaxial cable:

1. Connect one end of the coaxial cable to the BNC connector on the main unit
2. Connect the 75Ω terminator to the other end of the cable.
3. Turn on the tester. The green light on the position B shine shows the cable is good, Otherwise, shows that the cable has an open connection or short.

### Remarks:

Tester is for LAN cable test only, Do not use to test CATV cable or LAN connection or electric circuit.