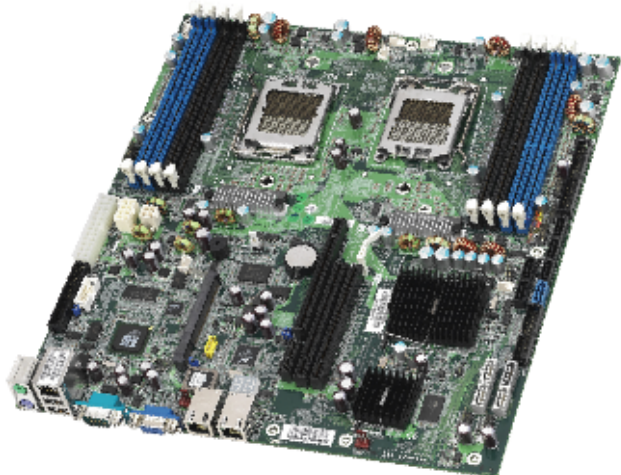


## Rack-Optimized Server Solution



Thunder n3600R

S2912WG2NR-E / S2912G2NR-E



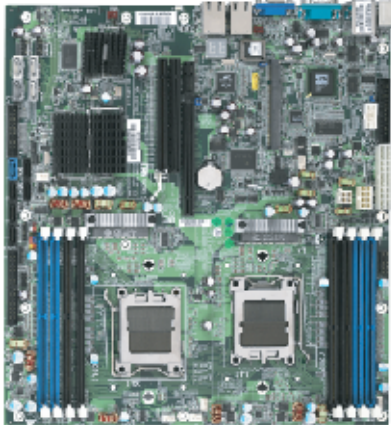
### 1U rack-optimized platform with AMD Opteron™ Quad-Core/ Dual-Core 2000/ 2300 processors

- Dual LGA 1207-pin sockets support up to (2) AMD Opteron™ Quad-Core/Dual-Core 2000/2300 series processors
- Support AMD Dual Dynamic Power Management (DDPM) feature
- nVIDIA nForce® Professional 3600 (NFP 3600)
- (8) 240-pin DDR2 DIMM slots support up to 32GB registered DDR2 667/533/400 w/ ECC memory
- (1) PCI-E x16 slot
- (1) PCI-E x16 slot (w/ x8 link)
- (1) HTX slot
- (4) SAS ports w/ RAID 0, 1, 1E support
- (6) SATA-II ports w/ RAID 0, 1, 10, 5 support
- (2) GbE LAN
- EATX (12" x 13") form factor
- (1) OPMA slot for optional TYAN® M3295-2 SMDC support

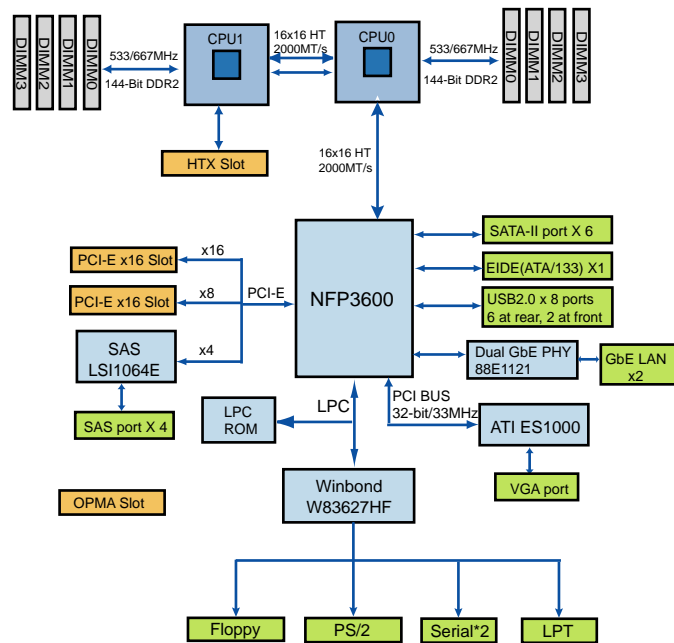
# Thunder n3600R

S2912WG2NR-E / S2912G2NR-E

## TOP View



## Block Diagram



## S P E C I F I C A T I O N S

### Processors

- Dual LGA 1207 sockets
- Support up to (2) AMD Opteron™ Quad-Core/Dual-Core 2000/2300 series processors
- Support 2.0GT/s HyperTransport™ link
- Support AMD Dual Dynamic Power Management (DDPM) feature

### Chipset

- nVIDIA nForce® Professional 3600 (NFP 3600)
- Winbond 83627HG Super I/O chip
- Analog Devices ADT7476 Hardware Monitoring IC

### Memory

- Dual-channel memory bus
- (8) 240-pin DDR2 DIMM slots
- Support up to 32GB registered DDR2 667/533/400 w/ ECC memory

### Expansion Slots

- (1) PCI-E x16 slot
- (1) PCI-E x16 slot (w/ x8 link)
- (1) HTX slot
- (1) OPMA connector for TYAN® SMDC

### Integrated I/O

- (1) Floppy connector
- (1) ATA133/100 IDE connector
- (6) SATA-II connectors
- (4) SAS connectors
- (6) USB 2.0 headers
- (1) 9-pin COM header

- (1) 15-pin parallel port header
- (1) 2 x 9-pin TYFP header
- (1) 2 x 6-pin TYFP2 header
- (1) 2 x 7-pin FAN header
- (1) 2 x 3-pin LCD Module header

### System Management

- (6) 4-pin fan headers
- CPU temperature & voltage monitor support
- (1) 2-pin chassis intrusion header

### Integrated 2D / 3D PCI Graphics

- ATI® ES1000 graphic controller
- PCI interface
- 32MB DDR video frame buffer memory

### Integrated SAS Controller

- LSI SAS1064E 4-port SAS controller
- PCI-E x4 interface
- RAID 0, 1 and 1E support

### Integrated Serial ATA II Controller

- SATA-II controller integrated in NFP 3600
- (6) SATA-II ports w/ RAID 0, 1, 10, 5 support

### Integrated LAN Controllers

- Marvell 88E1121 GbE PHY
- (2) 10/100/1000 LAN ports

### BIOS

- Phoenix BIOS on 8Mbit LPC Flash ROM
- Support ACPI (S0, S1, S4, S5)
- Serial Console Redirect
- PXE via Ethernet, USB device boot
- PnP, DMI 2.0, WfM 2.0 Power Management

- Multiple boot options

### Power

- EPS12V 24 + 8 + 4-pin power connector

### Form Factor

- EATX (12" x 13")

### Regulatory

- FCC Class B (Declaration of Conformity)
- European Community CE (Declaration of Conformity)

### Server Management

- Optional TYAN® M3295-2 SMDC
- IPMI v2.0 compliant

### Back Panel I/O Ports

- (1) stacked PS/2 connectors for mouse and keyboard
- (1) stacked 2-port USB 2.0 and 1-port RJ-45 connectors (dedicated for IPMI)
- (1) DB-9 serial port
- (1) D-sub VGA port
- (2) side-by-side RJ-45 connectors

MITAC INTERNATIONAL CORP.  
TYAN® Business Unit

USA  
Tel: +1-510-651-8868  
Fax: +1-510-651-7688

Taiwan  
Tel: +886-2-8751-2200  
Fax: +886-2-8751-2211

Netherlands  
Tel: +31-10-2467722  
Fax: +31-10-4735881

China  
Shanghai Tel: +86-21-61431188-1373  
Beijing Tel: +86-010-62381108-2025

Japan  
Tel: +81-3-3769-8311  
Fax: +81-3-3769-8328