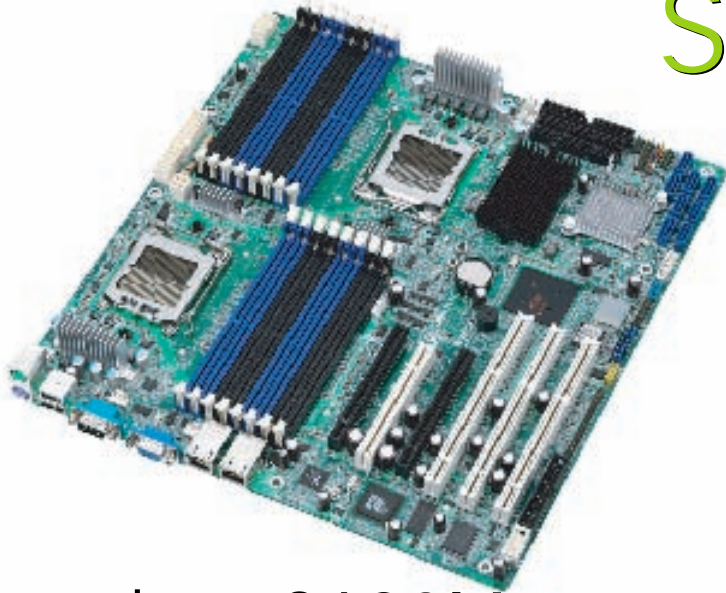
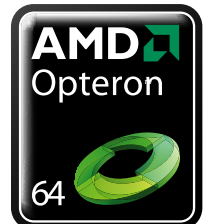


## Server Solution



Thunder n3600M  
S2932-E



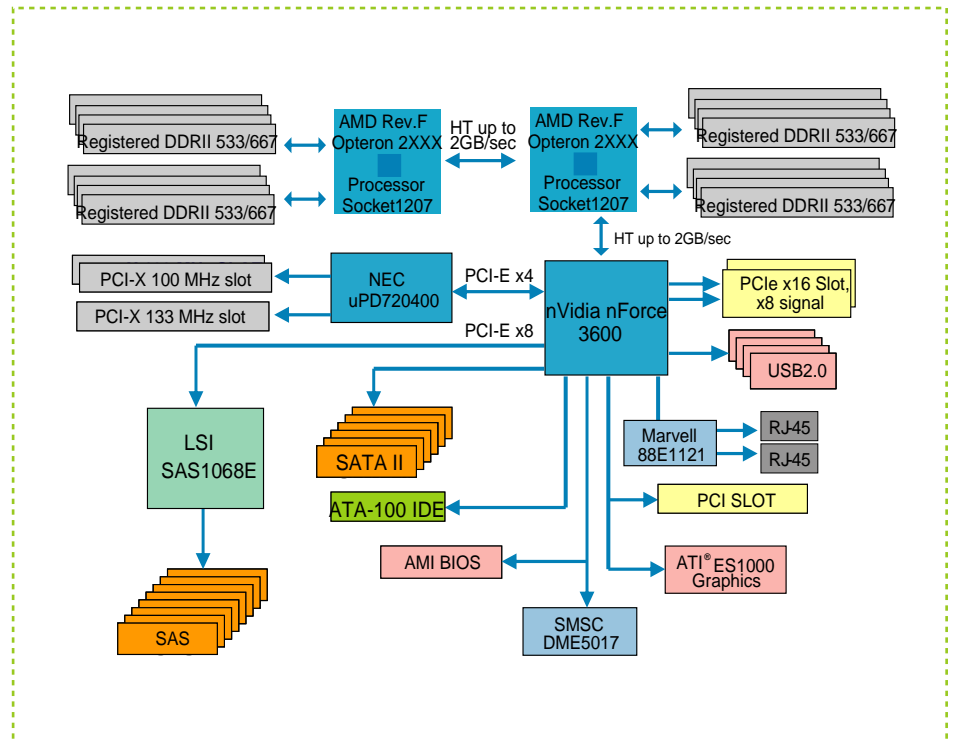
### 2-way AMD Rev. F Opteron™ 2000 series

- Two uPGA 1207-pin ZIF sockets Supports up to two AMD® Opteron™ Rev. F 2000 Series Santa Rosa Dual core processors, and Barcelona Quad core processors.
- Support AMD dual dynamic power feature
- Total 16 DDR DIMMs up to 64GB DDRII 533/667MHz Register memory support
- (2) PCI-e x16 slot with x8 signal
- PCI-X 133/100MHz Slot, Support high speed Expansion Slots
- Integrated build in Dual GbE LAN ports, Marvell 88E1121 build in dual Gigabit LAN
- (6) SATAII connector (RAID 0,1,0+1,5, JBOD)
- (8) SAS connectors (RAID 0, 1, JBOD)

# Thunder n3600M

S2932-E

## ▼ TOP View



## S P E C I F I C A T I O N S

### Processors

- Two uPGA 1207-pin ZIF sockets
- Supports up to two AMD® Opteron™ Rev. F 2000 Series Santa Rosa Dual core processors, and Barcelona Quad core processors
- Support AMD dual dynamic power feature
- Integrated 128-bit DDR Memory Controller

### Expansion Slots

- Two x16 PCI Express with x8 bandwidth
- Three PCI-X slots
- One 32-bit, 33MHz PCI v2.3 slots
- Total six usable expansion slots

### Chipset

- nVIDIA nForce Pro 3600
- NEC nPD720400
- SMSC DME5017
- LSI 1068E

### System Management

- SMSC DME5017 w/hardware monitoring
- Seven 4pin FAN header
- Temperature and voltage monitoring
- Watchdog timer
- Port 80 code display LED
- TYAN IPMI support

### Memory

- Dual memory channels
- Supports up to 16 DDRII-667 DIMMs
- Up to 64GB of register ECC/non-ECC memory

### Integrated IDE

- One ATA IDE slot for two IDE devices
- Support for ATA-133/100/66/33 IDE drives and ATAPI compliant devices

### Integrated Serial ATA II

- Serial ATA II Host controllers embedded
- Supports six Serial ports running at 3.0Gb/s
- NV RAID 0, 1, 0+1, 5 and JBOD support
- SATA activity LED connector

### Serial Attached SCSI(SAS)

- LSI 1068E PCI-E SAS controller
- Supports 8 SAS ports running at 3.0Gb/s
- RAID 0, 1 and JBOD support

### Back Panel I/O Ports

- Stacked PS/2 Mouse & Keyboard ports
- Two USB2.0 ports
- One COM1 connector
- One 15-pin VGA port
- Two RJ45(Marvell 88E1121 PHY +nVIDIA MAC) 10/100/1000 Base-T port with link/activity LED

### Integrated I/O Interfaces

- One floppy connector
- One IDE connector
- Six SATA ports
- Eight SAS ports
- Four USB 2.0 ports (2 at rear, 2 via cable)
- Two COM port (1 at rear, 1 via cable)
- Tyan 2 x 9 front-panel pin header
- Tyan 2 x 6 front-panel pin header for LAN/ID LED
- Tyan 2 x 7 pin header (2.0mm) for FAN tachometer and PWM.
- 2X25 IPMI pin header

### Integrated 2D/3D PCI Graphics

- ATI® ES1000™ PCI graphics controller
- 32MB DDR Frame Buffer of video memory

### Integrated LAN controllers

- Two 10/100/1000 Base-T LAN(nForce Pro 3600 integrated MAC with Marvell 88E1121 Gigabit Ethernet PHY)
- IEEE802.3 compliant, WOL/PXE support
- Pin header for front panel LAN LED

### BIOS

- AMI BIOS 8Mbit Flash
- Supports ACPI 2.0
- PnP, DMI2.0, WfM2.0 Power Management

### Power

- ATX12V support, On board 4-phase VRD
- Universal 24-pin + 8-pin power connectors
- 4-pin auxiliary power connector

### Form Factor

- Extended ATX (13" x 12")
- 8 layers PCB

### Regulatory

- FCC Class B (Declaration of Conformity)
- CE (Declaration of Conformity)

### PCI-E assignment

- x16 PCI Express with x8 bandwidth
- x16 PCI Express with x8 bandwidth
- NEC nPD720400 with x4 bandwidth
- LSI 1068E with x8 bandwidth

## TYAN COMPUTER CORP.

Tyan Computer USA  
Tel: +510-651-8868  
Fax: +1-510-651-7688

Tyan Computer Taiwan  
Tel: +886-2-8751-2200  
Fax: +886-2-8797-2767

Tyan Computer Germany  
Tel: +49-89-318598000  
Fax: +49-89-31609236

Tyan Computer UK  
Tel: +44 (0) 870-027-2881

Tyan Computer Netherlands  
Tel: +31-10-2467722  
Fax: +31-10-4735881

Tyan Computer China  
Tel: +86-010-62555015

Tyan Computer Japan  
Tel: +81-3-3837-7580  
Fax: +81-3-3837-7581