



You are at
Cooling System» Venus Series
»System Integrators

K450 CL-P0075



Search

GO

Download
datasheet



Awards &
Reviews



Where
to Buy



Ask
Questions



CL-P0075

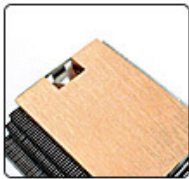
Enlarged View

Features

- » Application for **AMD Opteron and Athlon 64 / Athlon 64 FX55**
- » High density thin fin, more surface area- providing excellent heat dissipation
- » Copper base with heatpipe technology
- » Tool - free clip, easy installation



Detail Information



Copper Base



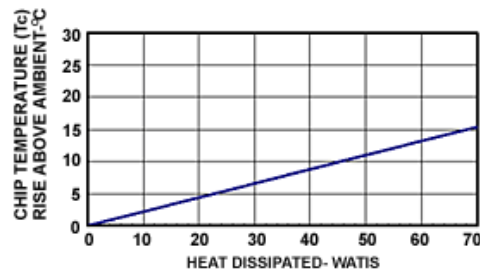
Tool-free Clip

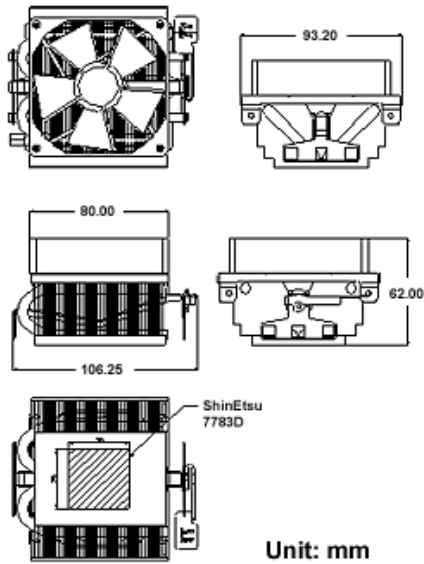


Heatpipe Technology

Dimension

Thermal Analysis





Unit: mm

Detail Specifications

P/N	CL-P0075	Fan Speed	2800 RPM at 32°C 5500 RPM at 42°C
Fan Dimension	80x80x20 mm	Max Air Flow	32.190 CFM at 32 °C 60.465 CFM at 42°C
Heatsink Dimension	90.2x84.3x39mm	Max Air Pressure	3.123 mmH2O at 32°C 11.421 mmH2O at 42°C
Rated Voltage	12V	Noise	29.5 dBA at 32°C 50.5 dBA at 42°C
Weight	438g	Bearing Type	2 Ball
Started Voltage	6.5V	Life Expectation	70,000 Hours
Rated Current	0.12~0.43A	Connector	3 Pin
Power Input	1.44~5.16W	TIM	Shin Etsu X-23-7783D

Logo Information



Performance



Heatpipe

Copyright © 2003 Thermaltake Technology Co., Ltd. All Rights Reserved.
"Tt", Thermaltake, ThermalTake are trademarks of Thermaltake Technology Co., Ltd.
All other registered trademarks belong to their respective companies.