

TECHNICAL DATA SHEET - Universal Flat Wall Mount for 23" - 46" Screens



**MODELS: D-FPF-220, D-FPF-220S, RTFPF-220,
RTFPF-220S, SF 640, SF 640P,
SF 640-S, SF 640P-S**



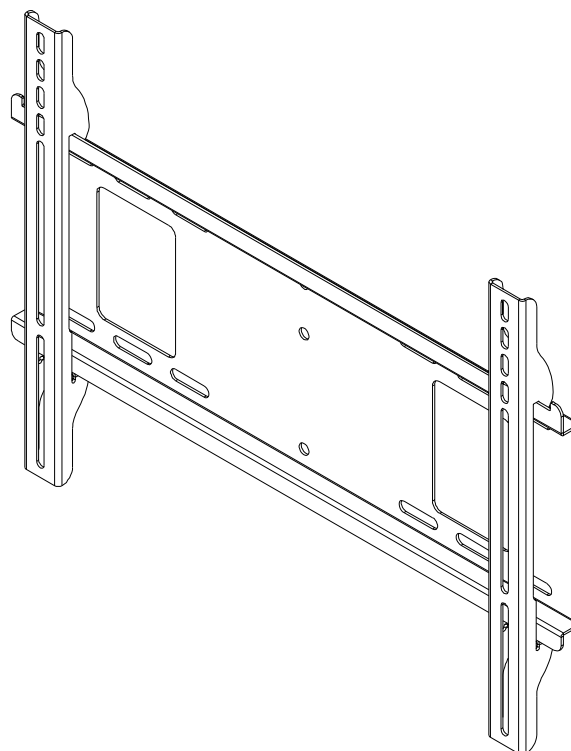
The **Universal Flat Wall Mount** supports virtually any 23" to 46" LCD or plasma screen. The ultra-slim wall plate keeps the screen close to the wall for a very discreet installation that is perfect for boardrooms, digital signage, or home theaters. The mount includes simple to align universal brackets and a unique wall plate that can be mounted to a single wood stud, two wood studs up to 16" apart, or concrete. Includes a Sorted-For-You™ baffle pack with all screen hardware and security fasteners.

Features:

- Colors: silver or black
- Universal mount fits virtually any 23" to 46" flat panel screen
- Slim design holds screen close up against the wall (1.18")
- Integrated security features provide effective theft deterrence (SF 640 and SF 640-S only)
- Screen simply hooks onto the wall plate for quick and easy installation
- Optional horizontal adjustment of up to 6" (depending on screen model)
- Includes hardware for installation to wood studs, concrete, and cinder block

Accessories:

- Metal Stud Fastener Kit (ACC 415)
- Video Conferencing (ACC 309)
- Accessory Shelves (PM 600, PM610)



**D-FPF-220, D-FPF-220S,
SF 640, SF 640-S,
SF 640P, SF 640P-S**

Dimensions:

Weight:
4.9 lb (2.2 kg)

Shipping weight:
5.6lb (2.6 kg)

Maximum Load Capacity:
150 lb (68 kg)

Shipping Carton dimensions:
L= 20.1 in (511 mm)
W= 8.6 in (218 mm)
H= 3.9 in (99 mm)

RTFPF-220, RTFPF-220S

Dimensions:

Weight:
4.9 lb (2.2 kg)

Shipping weight:
7 lb (3.2 kg)

Maximum Load Capacity:
150 lb (68 kg)

Shipping Carton dimensions:
L= 21.125 in (537 mm)
W= 14 in (356 mm)
H= 4.25 in (108 mm)

ARCHITECTS SPECIFICATIONS

The **Universal Flat Wall Mount** shall be a Peerless model _____ and shall be located where indicated on the plans. It shall feature 6" horizontal adjustment. It shall include hardware for installation to wood studs, concrete, and cinder block. Assembly and installation shall be done according to instructions provided by the manufacturer.

Peerless Industries, Inc.

3215 W. North Ave. Melrose Park, IL 60160
708-865-8870 800-865-2112 Fax 708-865-2941

www.peerlessmounts.com

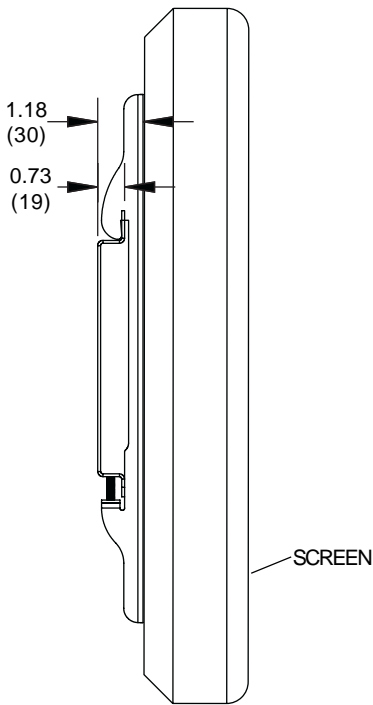
ISSUED: 04-12-05 SHEET NO: 201-9696-9 09-11-06

©2006 Peerless Industries, Inc. All rights reserved.
Peerless is a registered trademark and Sorted-For-You is a trademark of Peerless Industries, Inc.
All other brand and product names are trademarks or registered trademarks of their respective owners.

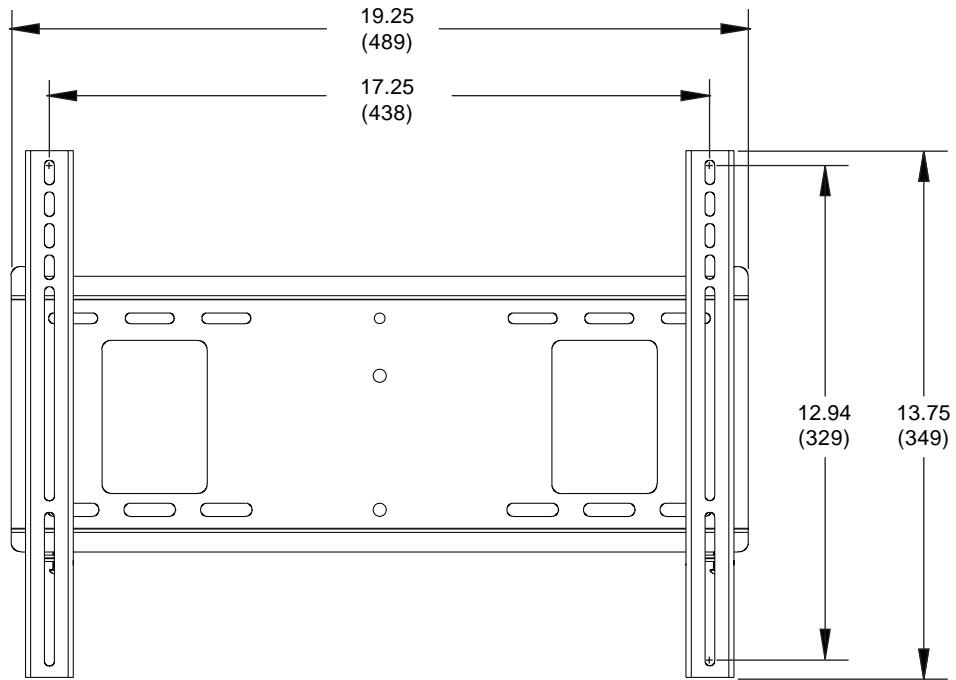
TECHNICAL DATA SHEET

MODELS: D-FPF-220, D-FPF-220S, RTFPF-220, RTFPF-220S, SF 640, SF 640P, SF 640-S, SF 640P-S

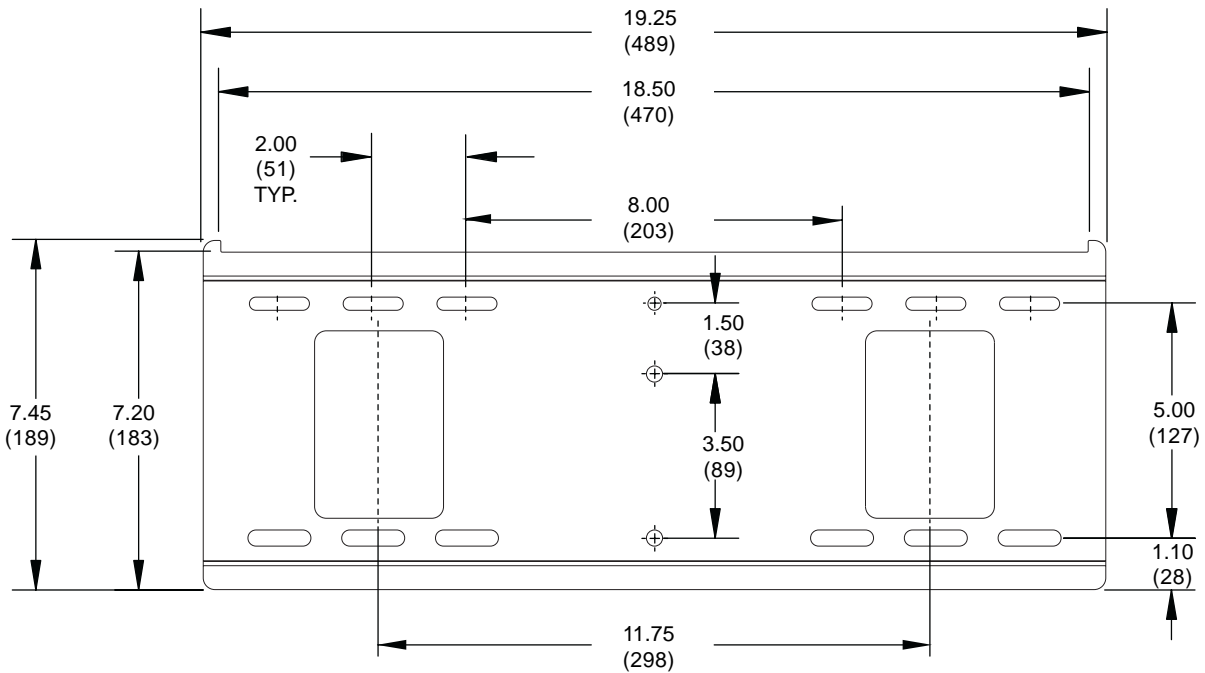
All Dimensions = $\frac{\text{in}}{\text{(mm)}}$



SIDE VIEW



FRONT VIEW



WALL PLATE DETAIL