



Features and Specifications

1. Noise Blackout™ technology with two noise cancellation microphones
2. Crystal Clear sound by advanced DSP (digital signal processing) technology
3. Intelligent volume controls & Audio shock protection
4. High Performance with Bluetooth 2.0 EDR & eSCO
5. Dual wearing style with 3rd generation Jabra Eargel™ and flexible ear hook
6. Dedicated on/off slide switch
7. Up to 5½ hours talk time and up to 250 hours standby time
8. Lightweight – weighs only 10g
9. L 48 x W 18 x H 12,5 mm (L 1.9 x W 0.7 x H 0.5 in)
10. Battery Status Indicator
11. Features Answer call, end call, reject call, voice dialling, last number redial, mute, call waiting, put call on hold, volume control*
12. Charging plug: USB Mini-B, 5-pin

Datasheet_MD04_BT530_01_05/08

* Phone dependent

Freephone customer support numbers:

Denmark
Finland
Italy
Norway
Spain
Sweden
UK

Phone: 70252272
Phone: 00800 722 52272
Phone: 800 786543
Phone: 800 61272
Phone: 900 984 542
Phone: 020792522
Phone: 0800 0327026

E-mail: support.no@jabra.com
E-mail: support.no@jabra.com
E-mail: support.it@jabra.com
E-mail: support.no@jabra.com
E-mail: support.es@jabra.com
E-mail: support.no@jabra.com
E-mail: support.uk@jabra.com

What's so cool about the Jabra BT530?

Noise Blackout™
Ambient noise cancellation

Crystal clear sound
Immaculate quality sound on both sides of the call

Ideal for all-day use
Lightweight and designed for long-lasting comfort



Noise Blackout™
No noise, all voice

JABRA BT530
Bluetooth™ headset

Noise Blackout™. Crystal clear sound. Ideal for all-day use

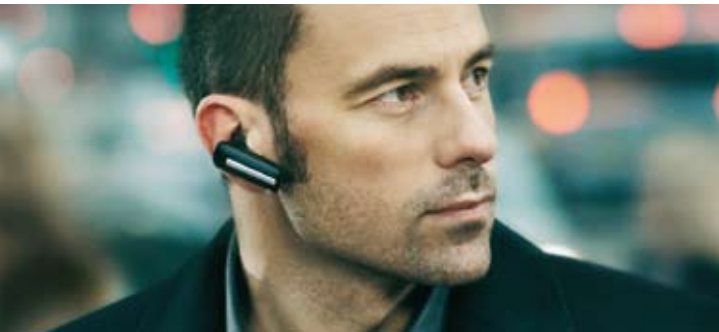


JABRA® IS A REGISTERED TRADEMARK OF GN NETCOM A/S

WWW.JABRA.COM



The Bluetooth® word mark and logos are owned by the Bluetooth SIG, Inc. and any use of such marks by GN Netcom A/S is under license. (Design and specifications subject to change without notice)



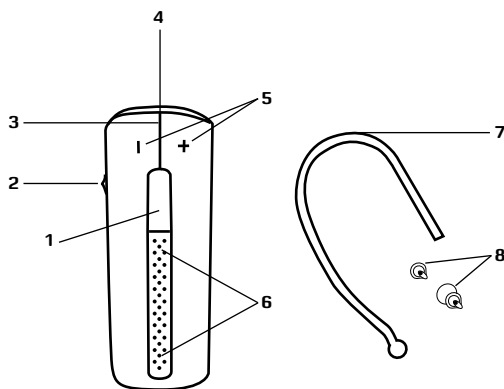
Jabra BT530 – the new generation of noise cancellation

Destroy unwanted sound with Noise Blackout™

The Jabra BT530 is the first Bluetooth™ headset with Noise Blackout™. Unique amongst wireless hands-free headsets, it provides background noise elimination – without any compromise on natural voice quality. Dual microphones, coupled with advanced DSP technology, identify the source of sound – and then enhance your own voice, and obliterate peripheral noise.

Enjoy crystal clarity and all-day comfort

This headset offers a noise-free experience in crystal clear sound wherever you are. Equipped with intelligent volume control – the headset automatically adjusts the level of received audio for optimal audibility and also offers Audio Shock Protection – guarding your ears against raised voices or sudden noise surges. Designed in true Jabra style, with comfort and intuitively in mind – this headset will provide pure audio power all-day long, whichever way you choose to wear it.



1 Answer/end button
Tap to answer/end call

2 On/off button
Slide to turn on/off

3 Light indicator (LED)
Shows battery and call status

4 Charger socket
Easy charging with AC power supply or USB charger cable provided

5 Volume buttons
Tap volume + or volume - to adjust the volume

6 Microphones

7 Ear hook

8 Jabra Eargels™

Quick start guide

Charging your headset

Charge your Jabra BT530 until the LED light turns solid green.

Turning your headset on and off

Slide on/off button to turn the headset on or off. The LED will turn green when the headset is on.

Pairing the headset with your phone

- 1.a. First time pairing:
 - Turn headset on - automatic pairing mode when LED is lit blue constantly.
- 1.b. Later pairing:
 1. Turn headset on. Press and hold answer/end button until solid blue light comes on.
 2. Activate Bluetooth on your phone.
 3. Search for Bluetooth devices and select Jabra BT530.
 4. Press 'OK' on the phone and confirm. If asked for, use the PIN code = 0000 (4 zeros)

Using your headset

- Answer a call
- Tap the answer/end button
- End a call
- Tap the answer/end button

Wearing it how you like it

Wear the Jabra BT530 with or without an earhook. To wear with earhook, please attach for right or left ear wearing. To wear without earhook please use eargels with loop.