

TVee™ Model Two

Television Entertainment Enhancement System

Quick Guide

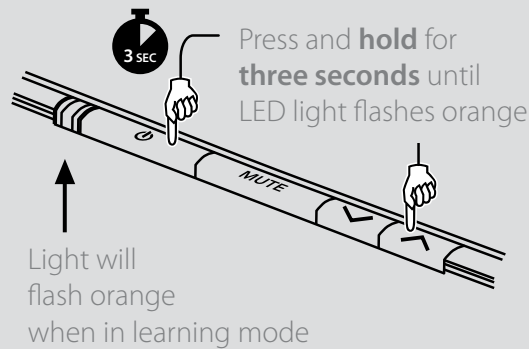
Did you know TVee™ can learn your television remote control?

If your television can be setup to change the audio volume it sends to TVee, you don't need this quick start guide.

Example: Teach TVee to respond to the Volume ^ button of your television remote control.

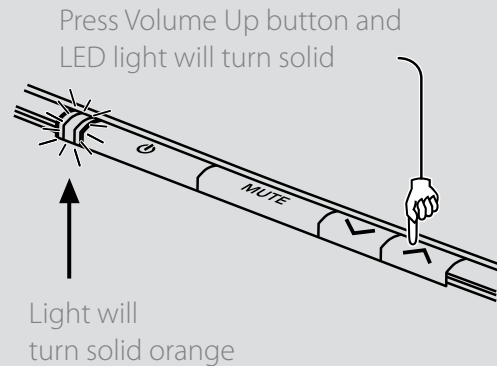
Step 1

Put TVee into "learning mode"



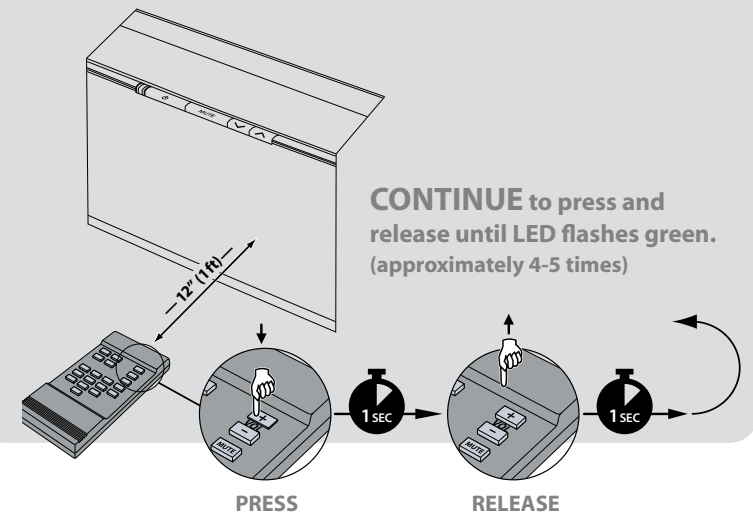
Step 2

Select button on TVee to learn
{in this example **VOLUME UP** ON TVee}



Step 3

Press same button on your remote 4-5 times
{in this example **VOLUME UP** ON YOUR REMOTE}



Repeat steps 1-3 to set up:

VOLUME DOWN
MUTE
POWER

Cable/Satellite users

TVee can also work with your cable or satellite programmable remote control provided it's already setup to control your television. Some of these types of programmable remotes require you to setup TVee from the original television remote. Setting up TVee this way should allow for proper operation with the programmable remote.

Not working?

If the light flashes red then TVee was not able to learn the signal from your television remote.

Repeat steps 1 – 3 using the following tips:

- Point your remote control at the middle of the TVee Soundbar.
- Hold the remote control about 12 inches from the front of the TVee Soundbar.
- Hold the remote control steady, don't let it move around while you press and release the button.
- **Press and release** the button **slowly** – for at least a full second for each press and release step.



300 Jubilee Drive, Peabody, MA 01960 bostonacoustics.com

© 2007. All rights reserved. Boston and Boston Acoustics are registered trademarks, and the B/A ellipse symbol, and TVee are trademarks of Boston Acoustics, Inc.

IMPORTANT SAFETY INSTRUCTIONS



This symbol found on the apparatus indicates hazards arising from dangerous voltages.



This symbol found on the apparatus indicates the user should read all safety statements found in the user manual.



This symbol found on the apparatus indicates double insulation.



Warning!
To reduce the risk of fire or electrical shock, do not expose this apparatus to rain or moisture.

1. Read these instructions.
2. Keep these instructions.
3. Heed all warnings.
4. Follow all instructions.
5. Do not use this apparatus near water.
6. Clean only with dry cloth.
7. Do not block any ventilation openings. Install in accordance with the manufacturer's instructions.
8. Do not install near any heat sources such as radiators, heat registers, stoves, or other apparatus (including amplifiers) that produce heat.
9. Do not defeat the safety purpose of the polarized or grounding-type plug. A polarized plug has two blades with one wider than the other. A grounding-type plug has two blades and a third grounding prong. The wide blade or the third prong is provided for your safety. If the provided plug does not fit into your outlet, consult an electrician for replacement of the obsolete outlet.
10. Protect the power cord from being walked on or pinched particularly at plugs, convenience receptacles, and the point where they exit from the apparatus.
11. Only use attachments/accessories specified by the manufacturer.
12. Unplug this apparatus during lightning storms or when unused for long periods of time.
13. Refer all servicing to qualified service personnel. Servicing is required when the apparatus has been damaged in any way, such as power-supply cord or plug is damaged, liquid has been spilled or objects have fallen into the apparatus, the apparatus has been exposed to rain or moisture, does not operate normally, or has been dropped.
14. Maintain a minimum distance of 2" (50mm) around the front, rear, and sides of the apparatus for sufficient ventilation. The ventilation should not be impeded by covering the ventilation openings or placing on or around the apparatus items such as newspapers, table-cloths, curtains, etc.
15. No open flame sources, such as lighted candles, should be placed on the apparatus.
16. The apparatus shall not be exposed to dripping or splashing. No objects filled with liquids, such as vases, shall be placed on the apparatus.
17. Either the power inlet connector on the rear of the apparatus or the power plug at the wall must remain accessible, to be able to disconnect power from the apparatus.
18. To completely disconnect this apparatus from the AC Mains, disconnect the power supply cord plug from the AC receptacle.



American Users:

Note: This equipment has been tested and found to comply with the limits for a Class B digital device, pursuant to part 15 of the FCC Rules. These limits are designed to provide reasonable protection against harmful interference in a residential installation. This equipment generates, uses, and can radiate radio frequency energy and, if not installed and used in accordance with the instructions, may cause harmful interference to radio communications. However, there is no guarantee that interference will not occur in a particular installation. If this equipment does cause harmful interference to radio or television reception, which can be determined by turning the equipment off and on, the user is encouraged to try to correct the interference by one or more of the following measures:

- Reorient or relocate the receiving antenna.
- Increase the separation between the equipment and receiver.
- Connect the equipment into an outlet on a circuit different from that to which the receiver is connected.
- Consult the dealer or an experienced radio/TV technician for help.

Caution: Unauthorized changes or modifications to the equipment could void the user's authority to operate the equipment.



Canadian Users:

Operation is subject to the following two conditions:

- (1) this device may not cause interference, and
- (2) this device must accept any interference, including interference that may cause undesired operation of the device.

To prevent radio interference to the licensed service, this device is intended to be operated indoors and away from windows to provide maximum shielding. Equipment that is installed outdoors is subject to licensing.



European Users:

RLAN - Radio Local Area Network Equipment

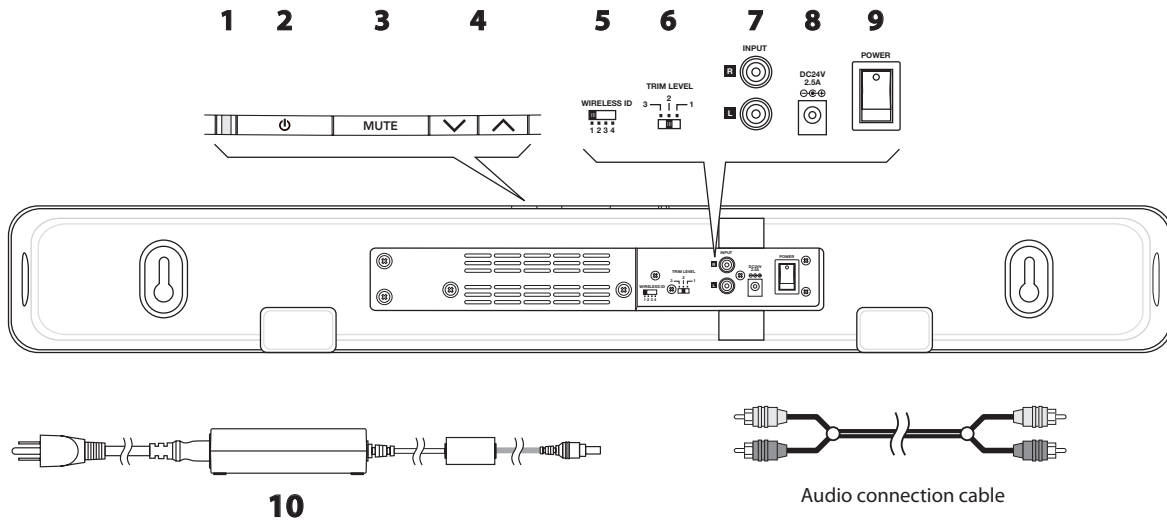
AT	CZ	FI	IS	LT	PT	SE	FR
BE	DK	DE	IE	MT	SK	CH	IT
EE	GR	LV	NL	SI	TR	LU	CY
HU	PL	ES	GB	NO			

This equipment may only be used indoors in FR.
This equipment may only be used in one's own premises in IT.
This equipment is for private use only in LU
Operation is not allowed within a radius of 20 km from the centre of Ny-Ålesund in NO.

Hereby, Boston Acoustics, Inc. 300 Jubilee Drive, Peabody, MA 01960 USA, declares that this Tvee Model 2 is in compliance with the essential requirements and other relevant provisions of Directive 1999/5/EC. A copy of the Declaration of Conformity (DOC) may be obtained from:

Oliver Kriete
Boston Acoustics, Division of D&M Europe B.V.
Beemdstraat 11
5653 MA Eindhoven
The Netherlands

The Parts of TVee

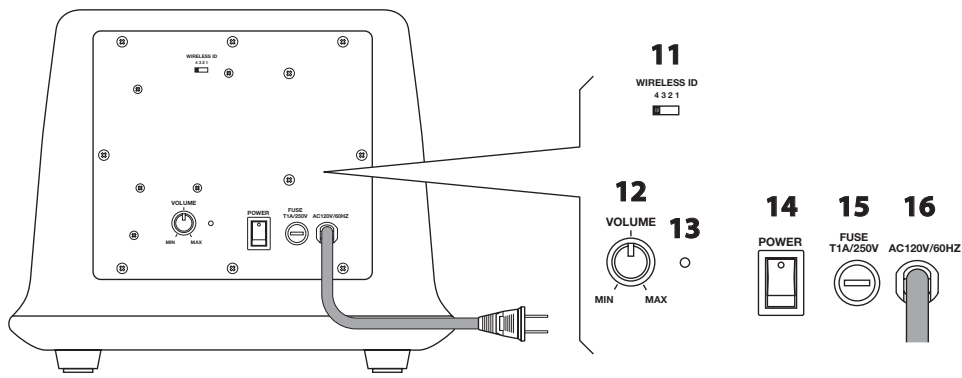


- 1** Status Indicator – Lights in various colors to indicate operating status. See the table below.
- 2** Power Button – Lets you manually activate TVee or put it in standby mode.
- 3** Mute Button – Lets you temporarily mute TVee.
- 4** Volume Up and Down Buttons – Let you manually adjust the volume of the TVee.
- 5** Wireless ID Switch – Selects the “channel” for the wireless Bass Unit signal. Set **11** in the same position.
- 6** Trim Level Switch – Adjusts the input sensitivity of TVee.
- 7** Inputs – Receives the input signal for the TVee. See the “Connect TVee” section for more information.
- 8** Power Input – Connect the power supply **10** here.
- 9** Power On/Off Switch – Turns the TVee soundbar on or off. Normally it is left on all the time.
- 10** Power Supply – Provides power to the soundbar. Plug it into the wall and connect it to the power input **8**.



Soundbar Status Indicator

Green Steady	Normal power-on mode.
Green Blinks Once	Shows a remote control signal is being received.
Orange Flashing	TVee is ready to learn a remote control command.
Orange Steady	The control button that’s learning a control command is selected; TVee waiting for an IR command to learn.
Flashing Green	TVee has successfully learned a remote control command.
Flashing Red	TVee has failed to learn a remote control command.
Flashing Red and Orange	Indicates learned IR codes successfully erased.



- 11** Wireless ID Switch – Selects the “channel” for the wireless bass unit signal. Set in the same position as **5**.
- 12** Volume – Adjusts the volume of the bass unit to balance with the soundbar.
- 13** Status Indicator – Lights red when the bass unit is active and green when it is in standby mode.
- 14** Power On/Off Switch – Turns the TVee bass unit on or off. Normally it is left on all the time.
- 15** Power Fuse – Protects the bass unit.
- 16** Power Cord – Plug it into an AC outlet.

Specifications

System Power	100 watts	
Dimensions (H x W x D)	Soundbar	3¾ x 31 x 4” (93 x 788 x 102mm)
	Bass Unit	9⅞ x 11½ x 11½” (240 x 292 x 292)
Weight	Soundbar	8.4 lbs (3.9kg)
	Bass Unit	11 lbs (5kg)

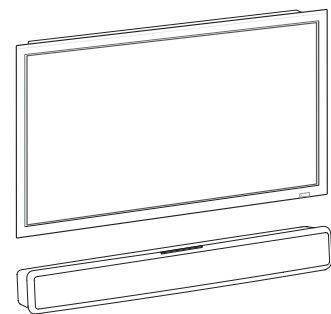
About TVee

Congratulations on selecting TVee for your home entertainment system. TVee combines the famous Boston sound with unprecedented ease of use. From two compact components, TVee delivers sound that will add an entirely new dimension to your television entertainment experience. Powerful amplifiers and 3D sound processing circuitry ensure exciting performance. Wireless connection between the soundbar and bass unit makes TVee easy to setup—the ideal combination of performance and convenience. If necessary, TVee can even learn the control signals from your remote control for maximum ease of use and totally transparent operation.

Placing TVee

You’re probably anxious to start using your TVee so let’s get started. First you should position the TVee components. The soundbar should place so it is centered with the TV screen. It can be front of the television. Or if your television is housed in furniture that has a shelf right above the screen the soundbar can go there. But avoid places that are semi-enclosed. That can upset the natural sound balance of TVee. There are keyholes in the back of the soundbar cabinet to facilitate hanging it on a wall.

The bass unit is easy. It can go just about anywhere in the room. Since it gets its signal wirelessly you don’t need to worry about connections. Just plug it into an AC outlet. Corner placement can help reinforce bass output.

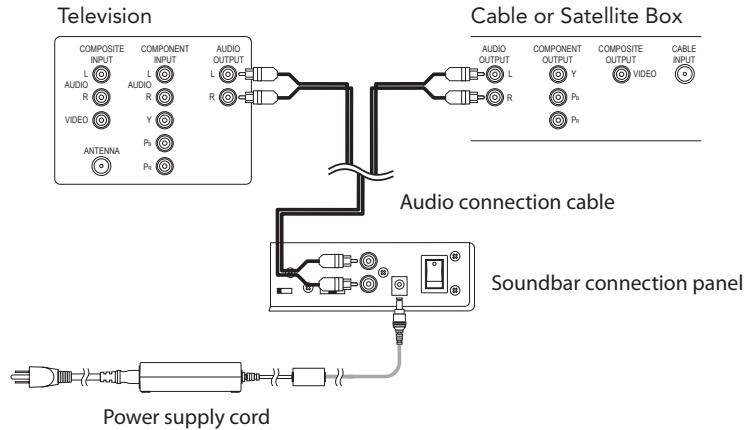


Connect TVee

Next you need to get an input signal into the TVee soundbar. All it takes is the audio connection cable that is supplied. There are two likely sources for a signal—your television or a cable television connection box. (The control box for a satellite system is for this purpose the same as a cable box. For simplicity we'll call it a cable box, but it could be either one.)

The main advantage of getting the signal from the cable box is that it is easier to set up. But if you have multiple signal sources, such as a DVD player, in addition to the cable signal you might need to get the signal from the TV so you can enjoy the TVee sound with all of your media.

The bass unit receives a wireless audio signal from the soundbar—you just need to plug it into your AC outlet.



Fire Up TVee!

Now the fun starts. Connect the power supply to the soundbar, turn on its power switch and the one on the bass unit. Turn on the other components in your system and tune in a familiar channel. You should hear sound from TVee. If you don't, try turning up the volume of TVee using its volume control buttons.

If TVee is connected to the television try adjusting the volume using the television remote control. If the volume level changes it shows that TVee is connected to a "variable" output. The mute control of the television remote should also work. That makes things easy. You can ignore the "Control TVee" section on the following page.

If the TVee is connected to the television it is likely that the television speakers are also playing. Most modern televisions have a way of turning off the internal speakers. There are hundreds of models of televisions from dozens of manufacturers so it is impossible to give specific instructions on how to do that. But most use a similar procedure.

Look on the remote control for your television for a "menu" or "setup" button. Press it and you'll see an on-screen menu. Look for an option to control audio functions and select it. This is where you'll probably find the setting to turn off the internal speakers.

If you cannot turn off the internal speakers it is not a problem. TVee will tremendously enhance the sound of the television speakers with extended response and improved definition. However, to get the most from TVee you'll want it to be louder than the television. Use the following steps to adjust the volume balance:

- 1 Teach TVee to respond to the volume up and down control commands of your television remote. (See the "Control TVee" section for information on how to do that.)
- 2 Turn down the volume of the television all the way using the control buttons on the set.
- 3 Use the volume control buttons on soundbar to set the volume of TVee to a normal listening level.

After this adjustment TVee should always be louder than the television speaker. Then you can use the television remote control to adjust the volume as you normally do.

Fine Tune TVee

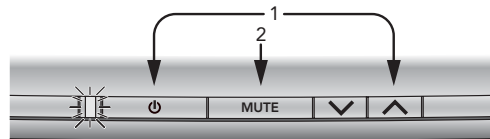
Now that things are up and running, it's time to adjust the bass unit to blend with the soundbar speakers so the system produces the balanced, natural Boston sound. Start with the bass unit volume control at the middle of its rotation range. Play a variety of source material—some music, a movie sound track with dynamic special effects, some spoken dialog. Adjust the volume up and down a bit from the starting point until you have a setting that produces a natural sound with all the various types of program material.

Control TVee

If you have TVee connected to a television, cable, or satellite box and changing the volume with your system remote does not change the volume of the TVee system, then the output TVee is connected to is a "constant level" output. With a constant level output you will want to program TVee to respond to the remote control codes of your television remote, or any other remote control you want to use. The goal is to be able to use one remote control. Here's how to do it.

Say you want TVee to learn the "mute" command of your remote control.

- 1 Press and hold the Power and ^ "Volume Up" buttons until the status indicator flashes orange.
- 2 Press the button you want to program to respond to your remote control—in this example the mute button.
- 3 Point your remote control at the front of the TVee soundbar from about 12 inches away. Press and hold the mute button for a full second then release the button for a full second. Repeat the press and release sequence until the status indicator turns green. **TIP:** Hold the remote steady and press/release the button slowly to be sure TVee can pick up the remote signal.



If TVee is not able to pick up the remote control signal within 20 seconds the status indicator will flash red for 20 more seconds and then return to green. Repeat steps 1 - 3, being careful to hold the remote steady and press the button slowly. Repeat the process for the other buttons on your remote control that you want TVee to learn.

Remember – TVee can learn to respond to almost any button on almost any remote. You decide what remote you want to use – television, satellite receiver, cable control box, etc. – and teach TVee to respond to the buttons you want to use.

If you make a mistake, or want to remove the remote control programming of TVee for any reason, press and hold the Mute and Volume Down buttons until the status indicator alternately flashes red and orange for 3 seconds. **NOTE:** This removes **ALL** of the TVee remote control programming. If you only need to change the programming for some of the TVee buttons, follow the three steps above to overwrite previous programming.

Details About TVee

In most systems after you do any needed remote control programming you can just sit back and enjoy the sound. But you might find the following details useful or interesting.

Power – The power switches on the back of the soundbar and bass unit can be left on. TVee has an automatic power standby system. After about 15 minutes of inactivity the amplifiers shut down. As soon as a signal is applied to the inputs of TVee the amplifiers automatically turn on again.

Wireless ID Switches – Both the soundbar and bass unit have Wireless ID switches. The various switch settings change frequency of the wireless signal the soundbar sends to the bass unit. The two switches must be set to the same position.

Typically you'll never need to adjust these switches. What are they for? If you have more than one TVee system in your house you can use different Wireless ID Switch settings so the systems won't interfere with each other.

Trim Level Switch – This changes the input sensitivity of TVee. If the output of your television is too low, you may need to change the trim level switch to "1" to make it louder. Conversely, if you hear distortion in the audio signal, try the "3" setting to make the input quieter.

Troubleshooting TVee

Soundbar does not power on.

- Is the power supply plugged into a live wall outlet?
- Is the power supply properly connected to the soundbar power input?
- Is the rear panel power switch in the "on" position?

Bass unit does not power on.

- Is the bass unit plugged into a live wall outlet?
- Is the rear panel power switch in the "on" position?
- Is the fuse blown? Replace it with the same type. If it quickly blows again the unit may need service.

No sound from TVee.

- Is the signal input connected to an output that is providing a signal?
- Are the soundbar and bass unit receiving power and turned on?
- Turn up the volume of the TVee soundbar.
- Turn up the volume of the television or cable box TVee is connected to.
- Check Mute status – is the status indicator blinking green? Press the Mute button on the soundbar.

No Sound from the Bass Unit.

- Check the points in the "Bass unit does not power on." section above.
- Turn up the volume control.
- Be sure the Wireless ID switches on the soundbar and bass unit are set to the same number.

Distorted sound from the Soundbar.

- Change the Trim Level switch setting to higher number.
- Check the signal source to be sure the distortion is not originating there.

Bass not loud enough.

- Turn up the bass unit Volume control.
- Place the bass unit closer to a corner of the room.

TVee won't learn my remote control commands.

- Carefully follow the programming instructions.
- Hold the remote steady and 12 inches from the front of the soundbar.
- Press and release the remote control button **s l o w l y** !
- Note: TVee learns almost all IR commands, but some IR protocols cannot be programmed.

There is a "pop" noise when I turn of my television.

- Program TVee to be turned on and off with the power button on your television remote control.

Volume of my television speakers gets louder than my TVee system over time.

- When the remote control volume button is held down your television may change volume levels faster than TVee.
- Use the buttons on the soundbar to adjust the volume of the TVee to the correct balance with the television speakers.

The woofer seems to have interference with its wireless signal.

- Try changing settings of the Wireless ID switches on both the soundbar and bass unit.
- The bass unit could be too far from the soundbar to get a good signal. Try moving it closer.

Limited Warranty

Boston Acoustics warrants to the original purchaser of our TVee system that it will be free of defects in materials and workmanship in its mechanical parts for a period of 5 years from the date of purchase. The warranty period for the electrical components of TVee is 1 year.

Your responsibilities are to install and use them according to the instructions supplied, to provide safe and secure transportation to an authorized Boston Acoustics service representative, and to present proof of purchase in the form of your sales slip when requesting service.

Excluded from this warranty is damage that results from abuse, misuse, improper installation, accidents, shipping, or repairs/modifications by anyone other than an authorized Boston Acoustics service representative.

This warranty is limited to the Boston Acoustics product and does not cover damage to any associated equipment. This warranty does not cover the cost of removal or reinstallation. This warranty is void if the serial number has been removed or defaced. This warranty gives you specific legal rights, and you may also have other rights which vary from state to state.

If Service Seems Necessary

First, contact the dealer from whom you purchased the product. If that is not possible, write to:

Boston Acoustics, Inc.
300 Jubilee Drive
Peabody, MA 01960 USA

Or contact us via e-mail at:
support@bostona.com

We will promptly advise you of what action to take. If it is necessary to return your TVee to the factory, please ship it prepaid. After it has been repaired, we will return it freight prepaid in the United States and Canada.



This symbol found on the product indicates that the product must not be disposed of with household waste. Instead, it may be placed in a separate collection facility for electronic waste or returned to a retailer when purchasing similar product. The producer paid to recycle this product. Doing this contributes to reuse and recycling, minimizes adverse effects on the environment and human health and avoids any fines for incorrect disposal.



300 Jubilee Drive, Peabody, MA 01960 USA
www.bostonacoustics.com

Boston, Boston Acoustics, and the Boston Acoustics logo are registered trademarks and TVEe is a trademark of Boston Acoustics, Inc. Specifications are subject to change without notice.
© 2007 Boston Acoustics, Inc. 142-002882-0