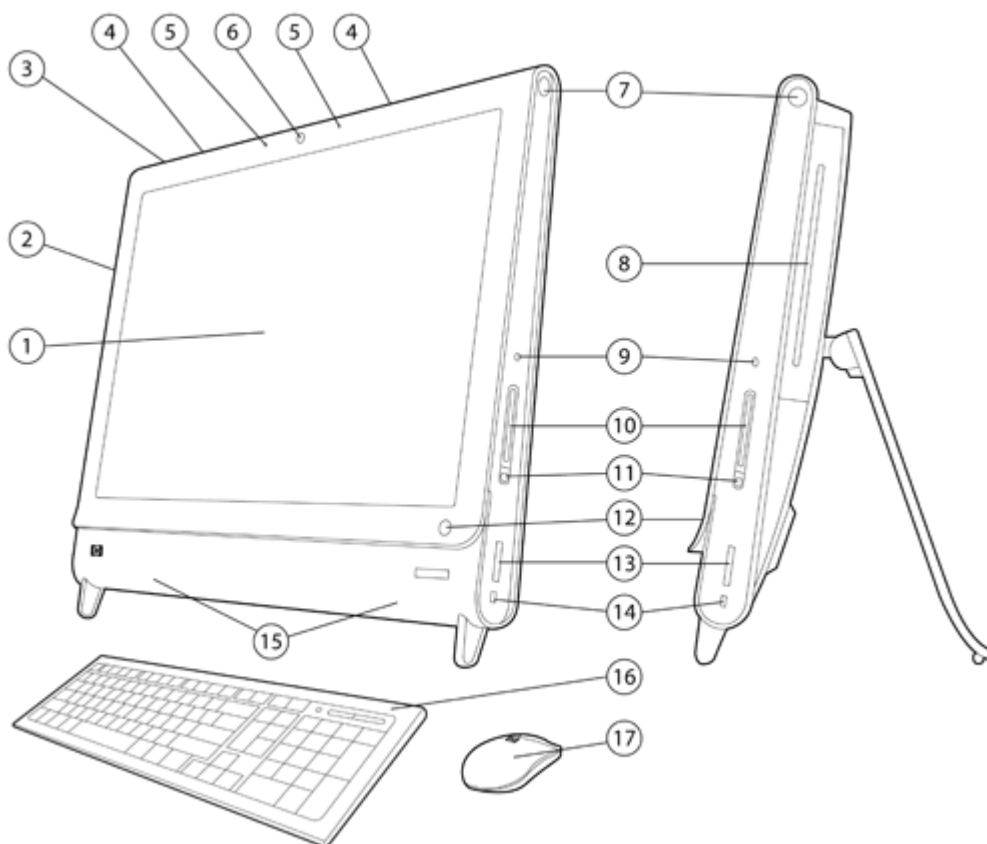


### Overview

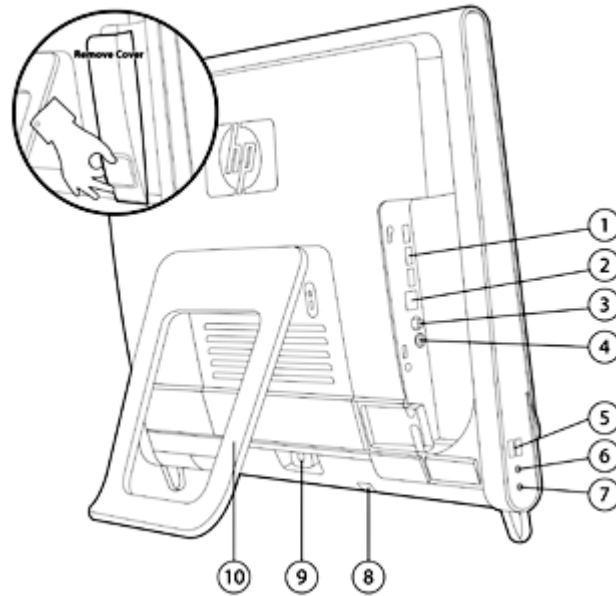
HP recommends  
Windows Vista® Business



1. Touch-enabled 22-inch diagonal widescreen BrightView LCD with tilt adjustment
2. Bluetooth module
3. Event LED
4. Dual wireless antennas
5. Dual microphone array
6. Webcam
7. Power button and LED
8. Slot-load CD/DVD drive
9. Hard disk drive LED

10. Volume buttons
11. Mute button
12. HP TouchSmart button
13. Memory card reader
14. 1394 port
15. High-performance 2.0 speakers
16. HP low-profile wireless keyboard with numeric keypad
17. HP wireless optical mouse

### Overview



- |                                |                                     |
|--------------------------------|-------------------------------------|
| 1. (3) USB ports               | 6. Audio line in                    |
| 2. RJ-45 Gigabit Ethernet port | 7. Headphone jack                   |
| 3. Audio digital out (SPDIF)   | 8. Wireless keyboard/mouse receiver |
| 4. Audio line out              | 9. Power connector                  |
| 5. (2) USB ports               | 10. Adjustable tilt stand           |

### At A Glance

- Genuine Windows Vista Business 64-bit
- Touch-enabled 22-inch diagonal widescreen BrightView LCD with glass covering
- Integrated all-in-one form factor
- Intel® Core™ 2 Duo processor, Intel GM45 Express chipset, and Intel GMA X4500HD graphics
- Integrated Gigabit Network Connection (10/100/1000 NIC)
- Wireless connectivity:
  - Integrated 802.11 a/b/g/n draft 2.0 wireless LAN module
  - Bluetooth® 2.0
- Integrated webcam, dual microphone array, and premium stereo speakers
- 4 GB of 800 MHz DDR2 SDRAM supported, dual channel memory support
- 320 GB hard drive
- Slot-load SuperMulti DVD Burner
- 5-in-1 Media Card Reader
- HP TouchSmart software suite for instant access to calendar, internet, notes, and multimedia content
- Wireless keyboard and mouse

### Standard Features

<b>Processors</b>	Intel Core 2 Duo Processor P8400 (2.26 GHz, 3 MB L2 cache, 1066 MHz FSB)* * Intel's numbering is not a measurement of higher performance.	
<b>Operating System</b>	<b>Preinstalled</b>	Genuine Windows Vista Business 64-bit* * Certain Windows Vista product features require advanced or additional hardware. See: <a href="http://www.microsoft.com/windowsvista/getready/hardwarereqs.mspx">http://www.microsoft.com/windowsvista/getready/hardwarereqs.mspx</a> and <a href="http://www.microsoft.com/windowsvista/getready/capable.mspx">http://www.microsoft.com/windowsvista/getready/capable.mspx</a> for details. Windows Vista Upgrade Advisor can help you determine which features of Windows Vista will run on your computer. To download the tool, visit: <a href="http://www.windowsvista.com/upgradeadvisor">http://www.windowsvista.com/upgradeadvisor</a> .
<b>Chipset</b>	Intel GM45 Express Chipset ICH9M-Enhanced	
<b>Graphics</b>	Intel Graphics Media Accelerator X4500HD	
<b>Display</b>	Touch-enabled 22-inch diagonal widescreen BrightView LCD with glass covering, 1650 x 1080 resolution (16:10), tilt adjustment between 10° and 40° from vertical	
<b>Memory</b>	<b>Standard</b>	PC2-6400 (800 MHz) DDR2 non-ECC SDRAM Two 200-pin SODIMM slots supporting dual channel memory 4 GB standard (2 GB x 2)
	<b>Dual-channel</b>	Maximized dual-channel performance requires SODIMMs of the same size and speed in both memory slots.
<b>Communications</b>	<b>Realtek 8111C-VC Ethernet Connection</b>	Integrated 10/100/1000 NIC*
	<b>802.11 PCIe Mini Wireless Module</b>	Support for 802.11 a, b, g, and n draft 2.0** Up to 300 mbps data rate Built-in dual antennas
	<b>Bluetooth Wireless Technology</b>	Bluetooth Specification v2.0 compliant Works with a wide range of Bluetooth devices
	* The term "10/100/1000" or "Gigabit" Ethernet indicates compliance with IEEE standard 802.3ab for Gigabit Ethernet, and does not connote actual operating speed of 1 Gb/s. For high-speed transmission, connection to a Gigabit Ethernet server and network infrastructure is required.	
	** The specifications for 802.11n draft 2.0 are draft specifications and are not final. If the final specifications differ from the draft specifications, it may affect the ability of the PC to communicate with other 802.11n WLAN devices.	

### Standard Features

#### Keyboard

The HP low-profile wireless keyboard with numeric keypad has 104 keys plus 4 hotkeys for Mute, Volume Up, Volume Down, and Sleep.

It operates at ~ 2.4 GHz and supports a working distance of up to 32 ft (10m). It is battery operated using 2 AAA batteries that can last up to 12 months with typical use. English and French Canadian key layouts are available.

#### Pointing Device

HP wireless optical mouse has two buttons with scroll wheel acting as third button.

It operates at ~ 2.4 GHz and supports a working distance of up to 32 ft (10m). It is battery operated using 2 AAA batteries that can last up to 4 months with typical use. English and French Canadian key layouts are available.

#### Storage

##### Hard Drive

320 GB SATA Hard Drive  
7200 rpm, 3.0 Gb/s

##### Optical Drive

Slot-load SuperMulti DVD Burner  
8x DVD-R  
8x DVD+RW  
6x DVD-RW  
6x DVD±R DL  
5x DVD-RAM  
8x DVD-ROM  
24x CDR  
24x CDRW  
24x CD-ROM

#### Interfaces

##### 5-in-1 Media Card Reader

Supports Secure Digital (SD, SDHC), MultiMedia Card (MMC), Memory Stick, Memory Stick Pro

##### USB 2.0

Five

##### 1394

One

##### Audio line in

One

##### Audio headphone jack

One

##### Audio line out

One

##### Audio digital out (SPDIF)

One

##### Power connector

One

##### RJ-45/Ethernet

One

### Standard Features

#### Audio/Visual

High Definition Audio support  
Integrated high-performance 2.0 speakers  
Integrated dual-microphone array  
Volume control and mute buttons  
Stereo headphone jack  
Stereo line in  
Stereo line out  
Audio digital out (SPDIF)

---

Integrated webcam

#### Software

##### Preinstalled software

HP Power Manager  
HP TouchSmart RSS Feeds  
HP TouchSmart Browser  
HP TouchSmart Calendar  
HP TouchSmart Notes  
HP TouchSmart Music  
HP TouchSmart Photo  
HP TouchSmart Video  
HP Total Care Advisor  
PDF Complete  
McAfee Total Protection\*  
Microsoft Office Ready with 60-day Office Professional 2007 Trial Edition

\* 60 day trial period for McAfee Total Protection for Small Business software. Internet access required to receive updates. First update included. Subscription required for updates thereafter.

#### HP Power Manager

Provides real-time reporting of how system settings impact the energy consumed by the PC and the potential savings over time.

#### SMBIOS

System Management BIOS, previously known as DMI BIOS, is used to store system management information.

#### Security

Kensington lock

#### Power Supply

External 150-watt power supply

#### Service and Support

HP Services offers limited 1-year warranty (1/1/0) standard; one year parts labor with next day business advanced exchange. To choose the right level of service for your HP product, use the HP Care Pack Services Lookup Tool at: <http://www.hp.com/go/lookuptool>. Additional HP Care Pack Services information by product is available at: <http://www.hp.com/hps/carepack>.

**NOTE:** Certain restrictions and exclusions apply. Consult the HP Customer Support Center for details. <http://h20000.www2.hp.com/bizsupport/TechSupport/ProductRoot.jsp>.

### Options

<b>Memory</b>	HP 2 GB (DDR2 800 MHz) SODIMM	KT293AA
<b>Input/Output Devices</b>	HP USB Standard Keyboard – US, English	DT528A#ABA
	HP USB Standard Keyboard – Canada, French Canadian	DT528A#ABC
	HP USB 2-Button Optical Scroll Mouse	DC172B
	HP USB 2-Button Laser Mouse	GW405AA
<b>Security</b>	Kensington Security Lock	PC766A
<b>Miscellaneous</b>	Belkin Promo 7-Outlet Surge Protector	AG290AA#ABA
	Belkin Network Cable	AH122AA
	Belkin Firewire (1394) Cable	AH123AA
	Belkin Starter Kit: Surge Protector, Patch Cable, Printer Cable	RT174AA
	Belkin Promo Starter Kit: Surge Protector, Patch Cable, Printer Cable	RT174AT

### Technical Specifications

<b>System Unit</b>	<b>Dimensions (HxWxD)</b>	17.4 in x 21 in x 2.6 in 442.0 mm x 533.4 mm x 66.0 mm	
	<b>Weight</b>	Approx. 24 lb (10.9 kg)	
	<b>Stand-Alone Power Requirements</b>	<b>Electrical Ratings</b>	100-240 V, 50/60 Hz, 2.0 A
		<b>Average Operating Power</b>	35 W Idle
		<b>Max Operating Power</b>	< 150 W
	<b>Temperature</b>	<b>Operating</b>	41° to 95° F (5° to 35° C)
		<b>Non-operating</b>	-22° to 149° F (-30° to 65° C)
	<b>Relative Humidity</b>	<b>Operating</b>	15% to 80% @ 26° C
	<b>Altitude</b> (unpressurized)	<b>Operating</b>	0 to 6,562 ft (0 to 2000 m)
		<b>Non-operating</b>	0 to 15,000 ft (0 to 4,572 m)
	<b>Industry Standard Certifications</b>	<b>UL</b>	Yes
		<b>CSA</b>	Yes
		<b>FCC Compliance</b>	Yes
		<b>ENERGY STAR®</b>	Yes
<b>EPEAT</b>		Silver	

For accessibility information on HP products, please visit: <http://www.hp.com/accessibility>.

**Eco-Label Certifications** This product has received or is in the process of being certified to the following approvals and may be labeled with one or more of these marks:

- US Energy Star
- IT ECO declaration
- EPEAT -- Silver

**System Configuration** The configuration used for the Energy Consumption and Declared Noise Emissions data for this desktop model is based on a typically configured product

<b>Energy Consumption</b>	115 VAC	230 VAC	100 VAC
Normal Operation	28.38W	28.46W	32.12W
Sleep (Energy Star low power mode)	3.11W	3.15W	3.09W
Off	1.19W	1.24W	1.19W
<b>Heat Dissipation*</b>	115 VAC	230 VAC	100 VAC
Normal Operation	97 BTU/hr	97 BTU/hr	110 BTU/hr
Sleep	11 BTU/hr	11 BTU/hr	10 BTU/hr
Off	4 BTU/hr	4 BTU/hr	4 BTU/hr

\* Heat dissipation is calculated based on the measured watts, assuming the service level is attained for one hour.

This product is in compliance with US executive order 13221, WOL (wake on LAN) disabled.

**Declared Noise Emissions**  
(in accordance with  
ISO 7779 and ISO 9296)



### Technical Specifications

System Fan Off	Sound Power (LWAd, bels)	Sound Pressure (LpAm, decibels)
Idle	3.08	26.0
Fixed Disk (random writes)	3.09	35.7

System fan is usually off except when charging the battery

**Batteries** This product complies with ISO standards:

- EU Directive 91/ 157/ EEC
- EU Directive 93/ 86/ EEC
- EU Directive 98/ 101/ EEC

Batteries used in the product do not contain:

- Mercury greater than 5ppm by weight
- Cadmium greater than 10ppm by weight
- Lead greater than 4000 ppm by weight.

Battery size: CR2032 (coin cell)

Battery type: Li Ion, Alkaline

### Additional information

- This product is in compliance with the Restrictions of Hazardous Substances (RoHS) directive - 2002/95/EC.
- This HP product is designed to comply with the Waste Electrical and Electronic Equipment (WEEE) Directive - 2002/96/EC.
- This product is in compliance with California Proposition 65 (State of California; Safe Drinking Water and Toxic Enforcement Act of 1986).
- This product is in compliance with the IEEE 1680 (EPEAT) standard at the Silver level, see [www.epeat.net](http://www.epeat.net)
- Plastics parts weighing over 25 grams used in the product are marked per ISO 11469 and ISO1043.
- This product contains 0% post consumer recycled plastic (by wt.)
- This product is 95.5% recyclable when properly disposed of at end of life.

### Packaging Materials

- External:
  - Paper / Cardboard – 3035g
- Internal:
  - Polypropylene foam – 347g
  - Polyethylene low density foam – 27.5g
- The Polypropylene foam packaging material is made from 0% recycled content.
- The Paper / Cardboard packaging materials contains at least 0% recycled content.

### RoHS Compliance

Hewlett-Packard is committed to compliance with all applicable environmental laws and regulations, including the European Union Restriction of Hazardous Substances (RoHS) Directive. HP's goal is to exceed compliance obligations by meeting the requirements of the RoHS Directive on a worldwide basis. By July 1, 2006, RoHS substances will be virtually eliminated (virtually = to levels below legal limits) for all HP electronic products subject to the RoHS Directive, except where it is widely recognized that there is no technically feasible alternative (as indicated by an exemption under the EU RoHS Directive).

### Material Usage

This product does not contain any of the following substances in excess of regulatory limits (for reference of these limits please refer to the HP General Specification of the Environment

### Technical Specifications

([http://www.hp.com/hpinfo/globalcitizenship/environment/supplychain/gen\\_specifications.html](http://www.hp.com/hpinfo/globalcitizenship/environment/supplychain/gen_specifications.html)):

- Asbestos
- Certain Azo Colorants
- Certain Brominated Flame Retardants – may not be used as flame retardants in plastics
- Cadmium
- Chlorinated Hydrocarbons
- Chlorinated Paraffins
- Formaldehyde
- Halogenated Diphenyl Methanes
- Lead carbonates and sulfates
- Lead and Lead compounds
- Mercuric Oxide Batteries
- Nickel – finishes must not be used on the external surface designed to be frequently handled or carried by the user.
- Ozone Depleting Substances
- Polybrominated Biphenyls (PBBs)
- Polybrominated Biphenyl Ethers (PBBEs)
- Polybrominated Biphenyl Oxides (PBBOs)
- Polychlorinated Biphenyl (PCB)
- Polychlorinated Terphenyls (PCT)
- Polyvinyl Chloride (PVC) – except for wires and cables, and certain retail packaging has been voluntarily removed from most applications.
- Radioactive Substances
- Tributyl Tin (TBT), Triphenyl Tin (TPT), Tributyl Tin Oxide (TBTO)

### Packaging

HP follows these guidelines to decrease the environmental impact of product packaging:

- Eliminate the use of heavy metals such as lead, chromium, mercury and cadmium in packaging materials.
- Eliminate the use of ozone-depleting substances (ODS) in packaging materials.
- Design packaging materials for ease of disassembly.
- Maximize the use of post-consumer recycled content materials in packaging materials.
- Use readily recyclable packaging materials such as paper and corrugated materials.
- Reduce size and weight of packages to improve transportation fuel efficiency.
- Plastic packaging materials are marked according to ISO 11469 and DIN 6120 standards.

### End-of-life Management and Recycling

Hewlett-Packard offers end-of-life HP product return and recycling programs in many geographic areas. To recycle your product, please go to: <http://www.hp.com/go/reuse-recycle> or contact your nearest HP sales office. Products returned to HP will be recycled, recovered or disposed of in a responsible manner.

The EU WEEE directive (2002/95/EC) requires manufacturers to provide treatment information for each product type for use by treatment facilities. This information (product disassembly instructions) is posted on the Hewlett Packard web site at: <http://www.hp.com/go/recyclers>. These instructions may be used by recyclers and other WEEE treatment facilities as well as HP OEM customers who integrate and re-sell HP equipment.

### Hewlett-Packard Corporate Environmental Information

For more information about HP's commitment to the environment:

Global Citizenship Report

<http://www.hp.com/hpinfo/globalcitizenship/gcreport/index.html>

Environment website

<http://www.hp.com/environment>

Eco-label certifications

<http://www.hp.com/hpinfo/globalcitizenship/environment/>



## Technical Specifications

[productdesign/ecolabels.html](http://productdesign/ecolabels.html)

ISO 14001 certificates:

<http://www.hp.com/hpinfo/globalcitizenship/environment/operations/envmanagement.html>

---

Copyright © 2009 Hewlett-Packard Development Company, L.P.

All rights reserved. Microsoft, Windows and Windows Vista are registered trademarks or trademarks of Microsoft Corporation in the U.S. and/or other countries. Core 2 Duo is a trademark of Intel Corporation in the U.S. and/or other countries. Bluetooth is a registered trademark of Bluetooth SIG, Inc., in the U.S. and other countries. All other product names mentioned herein may be trademarks of their respective companies.

The information contained herein is subject to change without notice and is provided "as is" without warranty of any kind. The warranties for HP products are set forth in the express limited warranty statements accompanying such products. Nothing herein should be construed as constituting an additional warranty. HP shall not be liable for technical or editorial errors or omissions contained herein.